



TLED HIGH BAY Series LED T8 Bypass Lamp Fixture

Applications:

The TLED HIGH BAY series designed for commercial, warehouse, and industrial applications. It's available in 12, 17, 20 and 22-inch body style.

Build Details:

This family of fixtures utilizes our state-of-the-art "uni-body" design, unique to the industry. The complete fixture is made from a single sheet of 22-gauge (0.025") pre-painted steel, which provides superior durability and rigidity.

Listing:

UL listed for damp locations.

Reflector:

Available in VEGA 95% specular aluminum, high reflective white.

Wire Guard:

11 gauge white powder coated with 2" X 2" cell.

Occupancy Sensors:

PIR sensors with daylighting, and IR remote capability.

Mounting:

Chain or cable hanger for easy mounting.

Ordering Matrix

TLEDHB	6L4	NS	S
Family	Lamp/Nom Length	Lamp Holder	Reflector.

Family

TLEDHB = Tubular LED High Bay

Lamp/Nominal Length

2L4 = 2 Lamp 4' Nominal
4L4 = 4 Lamp 4' Nominal
6L4 = 6 Lamp 4' Nominal
8L4 = 8 Lamp 4' Nominal

Lamp Holder

S = Shunted (double ended power)
NS = Non Shunted (single ended power)

Reflector

S = 95% Specular Aluminum
W = High Reflective white

Wire Guard

WG12T8= 12", 11 Gauge white powder coated with 2" x 2" cell.
WG17T8= 17", 11 Gauge white powder coated with 2" x 2" cell.
WG20T8= 20", 11 Gauge white powder coated with 2" x 2" cell.
WG22T8= 22", 11 Gauge white powder coated with 2" x 2" cell.
Order separately.

Occupancy Sensor

OS3001 = Fixture mounted PIR sensor with daylighting and IR remote capability.
Order separately.

Mounting

VHANGER= V-hanger 90 degree
GL16Y12ZZTOG5(2)= 5' Y-Toggle Hanger (1) Pair
GL16Y12ZZTOG10(2)= 10' Y-Toggle Hanger (1) Pair
GLAG16ZZLOOP5(2)= 5' Loop Hanger (1) Pair
GLAG16ZZLOOP10(2)= 10' Loop Hanger (1) Pair
Order separately.

Fixture Whips

Fixture whips available in 6'-15' lengths. 120 volt-277 volt rated, with numerous NEMA configurations, or blunt end. Consult for options.
Order separately.

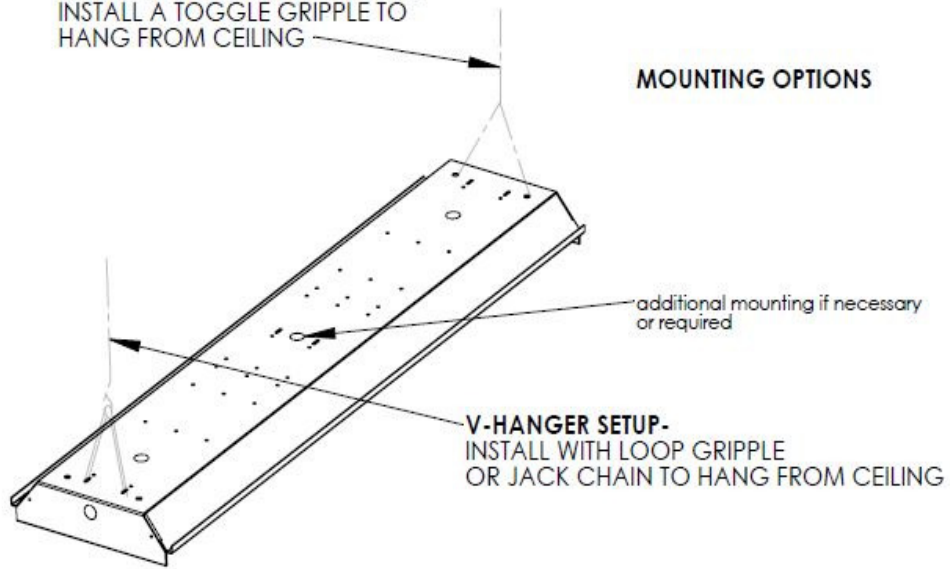


TLED HIGH BAY Series LED T8 Bypass Lamp Fixture

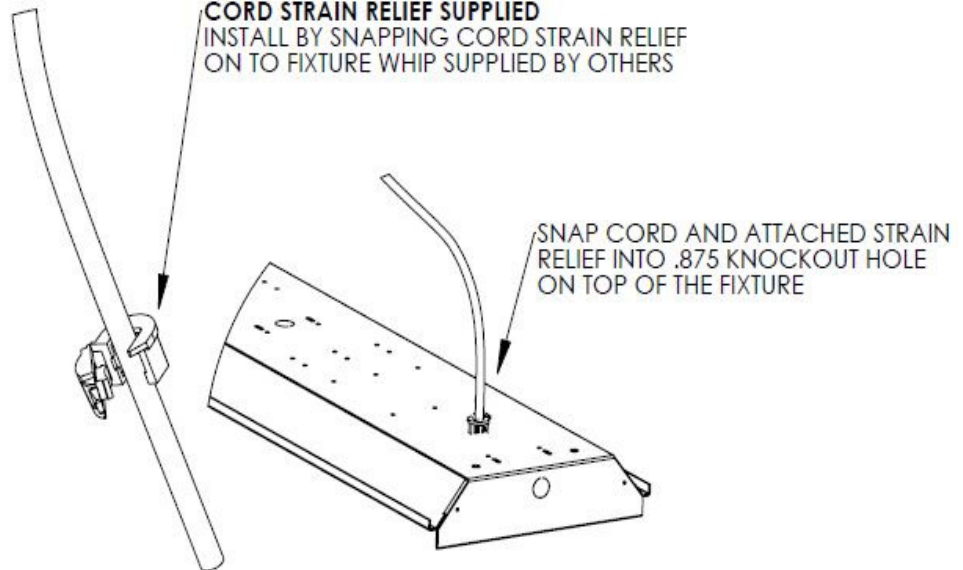


CABLE SETUP-
USING TOGGLE-END MOUNT OR
STUD-END MOUNT FOR FIXTURE,
INSTALL A TOGGLE GRIPPLE TO
HANG FROM CEILING

MOUNTING OPTIONS



CORD STRAIN RELIEF SUPPLIED
INSTALL BY SNAPPING CORD STRAIN RELIEF
ON TO FIXTURE WHIP SUPPLIED BY OTHERS





TLED HIGH BAY Series

LED T8 Bypass Lamp Fixture

